

PRODUCT INFORMATION PACKET

marathon®
Motors

Model No: 056B34D5325
Catalog No: J021
2,3450,DP,56C,1/60/115/208-230 (USE 5KC49TN2141X)
Jet Pump Motors



Regal and Marathon are trademarks of Regal Rexnord Corporation or one of its affiliated companies.
©2021 Regal Rexnord Corporation, All Rights Reserved. MC017097E

RegalRexnord

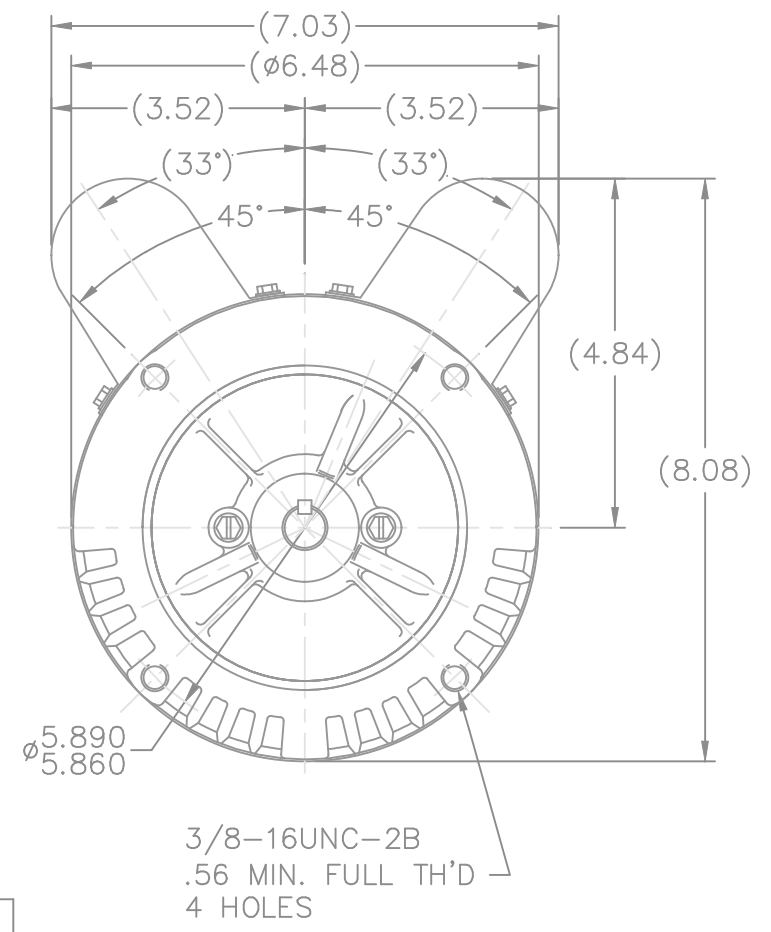
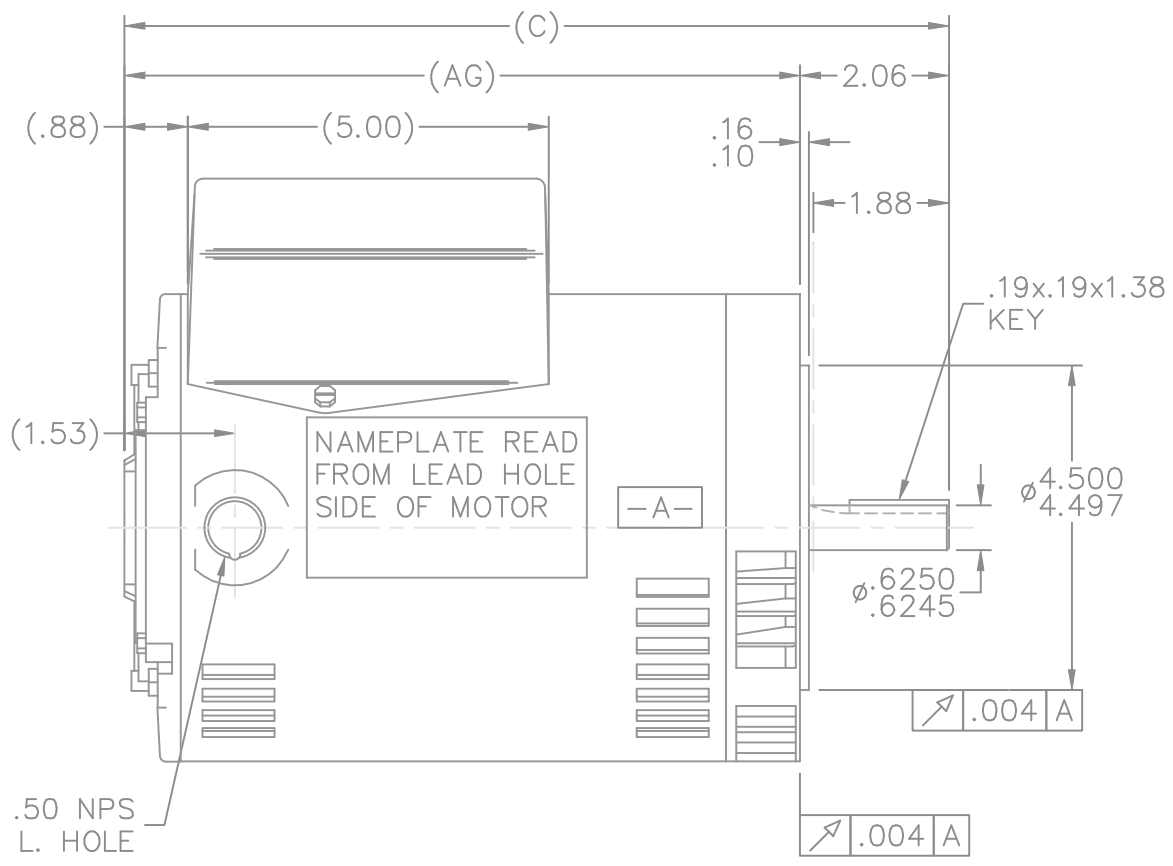
Nameplate Specifications

Output HP	2 Hp	Output KW	1.5 kW
Frequency	60 Hz	Voltage	115/208-230 V
Current	18.2/9.8-9.1 A	Speed	3450 rpm
Service Factor	1.2	Phase	1
Efficiency	80 %	Power Factor	87.5
Duty	Continuous	Insulation Class	B
Design Code	No Design Code	KVA Code	F
Frame	56C	Enclosure	Drip Proof
Thermal Protection	Automatic	Ambient Temperature	40 °C
Drive End Bearing Size	6203	Opp Drive End Bearing Size	6203
UL	Recognized	CSA	Y
CE	N	IP Code	22
Number of Speeds	1		

Technical Specifications

Electrical Type	Capacitor Start Capacitor Run	Starting Method	Across The Line
Poles	2	Rotation	Selective Counterclockwise
Resistance Main	0 Ohms	Mounting	Round
Motor Orientation	Horizontal	Drive End Bearing	Ball
Opp Drive End Bearing	Ball	Frame Material	Rolled Steel
Shaft Type	T	Overall Length	11.44 in
Shaft Diameter	0.625 in	Shaft Extension	1.88 in
Assembly/Box Mounting	F1 Only		
Outline Drawing	A-100379-756	Connection Drawing	102006-2

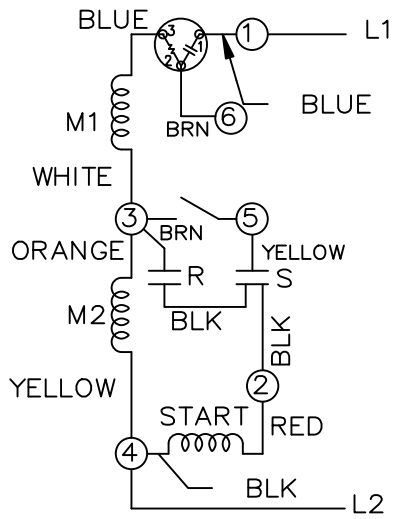
This is an uncontrolled document once printed or downloaded and is subject to change without notice. Date Created:10/12/2021



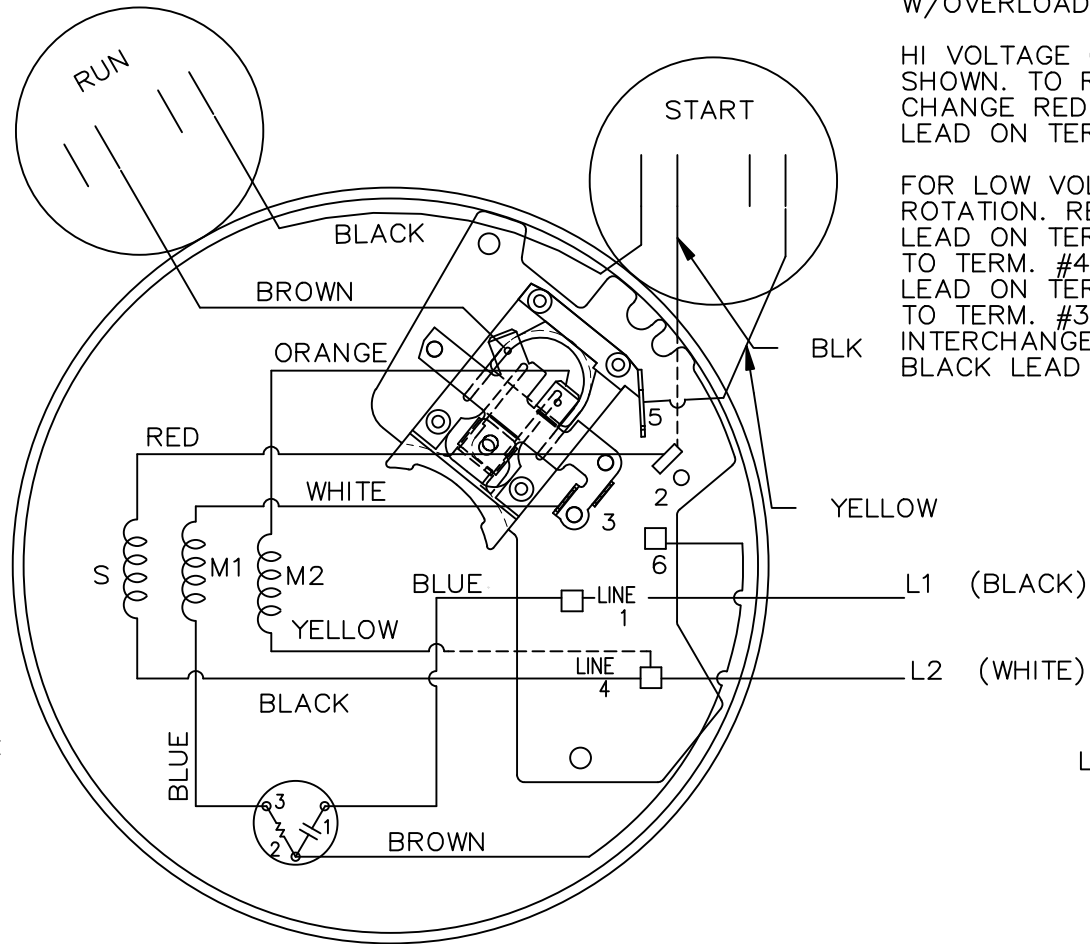
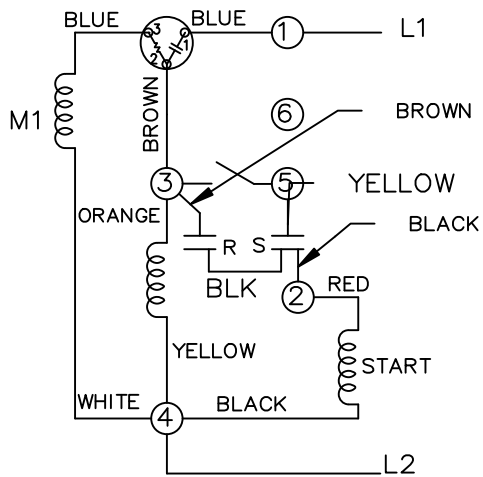
DASH	FR.	C	AG		DASH	FR.	C	AG	
					806	56-80	11.94	9.87	
656	"-65	10.44	8.37		856	"-85	12.44	10.37	
706	"-70	10.94	8.87						
756	"-75	11.44	9.37		956	56-95	13.44	11.37	

				TOLERANCES UNLESS SPECIFIED			DRAWN ML 03-19-1990		
				DEC.	INCHES		CHK FG 03-19-1990		
				.X	±.1	APPD MT 03-20-1990			
3	REDRAWN IN AUTOCAD			TAT 07-13-2004	ML .XX	±.03	SCALE 3=8		
2	REMOVED 2 VENTS TERM. END			CN 14111 ML 04-02-1992	.XXX	±.005	REF		
1	NEW DRAWING			3879237 ML 03-19-1990	.XXXX	±.0005	FMF		
NO.	REVISION			BY & DATE	CHK	ANG	±7'30"	PREV	
THIS DRAWING IN DESIGN AND DETAIL IS OUR PROPERTY AND MUST NOT BE USED EXCEPT IN CONNECTION WITH OUR WORK ALL RIGHTS OF DESIGN AND INVENTION ARE RESERVED THIS IS AN ELECTRONICALLY GENERATED DOCUMENT - DO NOT SCALE THIS PRINT				RFP	CAD FILE 100379			SIZE	DRAWING NO. PAGE OF REV.
				DIST WP				A	100379 3

HIGH VOLTAGE C.C.W.



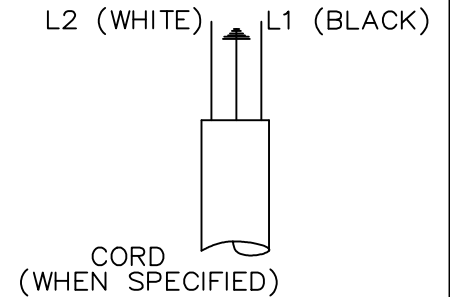
LOW VOLTAGE C.C.W.



DUAL VOLTAGE CAPACITOR
START, CAPACITOR RUN
W/OVERLOAD AND SELECT ROTATION

HI VOLTAGE C.C.W. ROTATION
SHOWN. TO REVERSE INTER-
CHANGE RED WITH BLACK
LEAD ON TERMS. 2 & 4.

FOR LOW VOLTAGE C.C.W.
ROTATION. REMOVE WHITE
LEAD ON TERM. #3 & ATTACH
TO TERM. #4. REMOVE BROWN
LEAD ON TERM. #6 ATTACH
TO TERM. #3. TO REVERSE
INTERCHANGE RED WITH
BLACK LEAD ON TERMS. 2 & 4.



		TOLERANCES UNLESS SPECIFIED		MARATHON ELECTRIC		DRAWN PGK 08-26-1996
		DEC.	INCHES			CHK ML 09-05-1996
		.X	±.1	TITLE CONNECTION DIAGRAM		APPD GK 09-05-1996
		.XX	±.02			SCALE 5=8
7	UPDATED PER IS11-3490	PN 8/31/2011	VC .XXX ±.005	MAT'L.		REF
6	REDRAWN ON CADD	PGK 09-05-1996	.XXXX ±.0005			FINISH
NO.	REVISION	BY & DATE	CHK	ANG	±'30"	PREV
THIS DRAWING IN DESIGN AND DETAIL IS OUR PROPERTY AND MUST NOT BE USED EXCEPT IN CONNECTION WITH OUR WORK ALL RIGHTS OF DESIGN AND INVENTION ARE RESERVED THIS IS AN ELECTRONICALLY GENERATED DOCUMENT - DO NOT SCALE THIS PRINT			RFP	CAD FILE 102006_3		SIZE A
			DIST WP			DRAWING NO. 102006-2
					PAGE OF	REV. 7